

D2PR Series — Standard

D2PR Series



D2PR Series Relay

Features

- Ultra-high sensitivity relay with quick response
- Designed small, 2-pole type break 5A load and 4-pole type, 3A load
- High reliability, long life
- Panel, DIN rail and flange mounting
- Small size

Standards and Certifications

File # E37317, E65657

File # LR217017, LR217069



Technical Data and Specifications

Table 3-24. D2PR Coil Resistance

Coil Voltage	Ohms	mA	
		50 Hz	60 Hz
6V AC	11	234	200
12V AC	41	86.5	74
24V AC	180	48	41
48V AC	788	21	18
120V AC	4430	12.9	11
240V AC	15700	7	6
6V DC	40	150	
12V DC	160	75	
24V DC	650	36.9	
48V DC	2600	18.5	
110V DC	11000	10	

Table 3-25. D2PR Socket Specifications

Catalogue Number	Electrical Ratings	Mounting Torque	Hook-Up Wire Range
D2PA4	7A, 250V	.785 Nm – 1.18 Nm	AWG 14 Max.
D2PA6	10A, 300V	7 – 8 in-lbs	AWG 14 to 28 Solid or Stranded

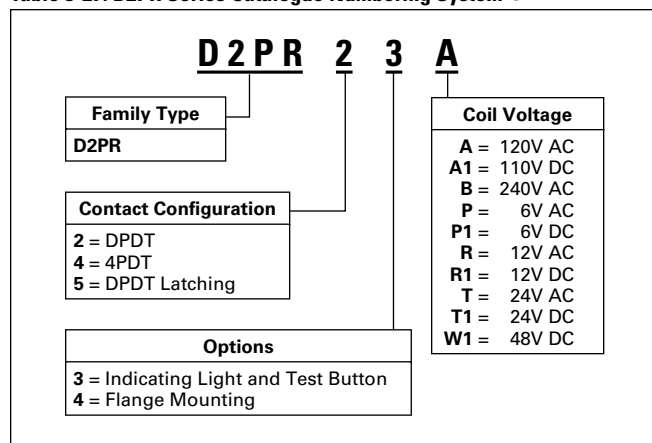
Table 3-26. D2PR Relay Specifications

	Resistive Load (p.f. = 1)	Inductive Load (p.f. = 0.4, L/R = 7 ms)
D2PR2		
Rated Load	240V AC 5A 30V DC 5A	240V AC 2A 30V DC 2A
Carry Current	5A	5A
Max. Operating Voltage	250V AC/125V DC	250V AC/125V DC
Max. Operating Current	5A	5A
Contact Material	Silver Cadmium Oxide	Silver Cadmium Oxide
Max. Switching Capacity	1100 VA 120W	440 VA 48W
Min. Permissible Load	100 mA, 5V DC	100 mA, 5V DC
Pickup Voltage (max.)	80% AC, 75% DC	80% AC, 75% DC
Drop Out Voltage (min.)	30% AC, 10% DC	30% AC, 10% DC
Voltage (max.)	110%	110%
Mechanical Life (min.)	10,000,000 operations	10,000,000 operations
Electrical Life @ All Contact Ratings (min.)	200,000 operations	200,000 operations
Maximum hp Ratings	1/6 hp (120V AC)	1/6 hp (120/240V AC)
D2PR4		
Rated Load	240V AC 3A 30V DC 3A	240V AC 0.8A 30V DC 1.5A
Carry Current	3A	3A
Max. Operating Voltage	250V AC/125V DC	250V AC/125V DC
Max. Operating Current	3A	3A
Contact Material	Ag (Au Flashed)	Ag (Au Flashed)
Max. Switching Capacity	660 VA 72W	176 VA 36W
Min. Permissible Load	1 mA, 1V DC	1 mA, 1V DC
Pickup Voltage (max.)	80%	80%
Drop Out Voltage (min.)	30% AC, 10% DC	30% AC, 10% DC
Voltage (max.)	110%	110%
Mechanical Life (min.)	10,000,000 operations	10,000,000 operations
Electrical Life @ All Contact Ratings (min.)	200,000 operations	200,000 operations
Maximum hp Ratings	1/10 hp (120/240V AC)	1/10 hp (120/240V AC)
D2PR5		
Rated Load	250V AC 5A 30V DC 5A	250V AC 2A 30V DC 2A
Carry Current	3A	3A
Max. Operating Voltage	250V AC/125V DC	250V AC/125V DC
Max. Operating Current	3A	3A
Contact Material	Ag (Au flashed)	Ag (Au flashed)
Max. Switching Capacity	660 VA 72W	176 VA 36W
Min. Permissible Load	100 mA, 1V DC	100 mA, 1V DC
Pickup Voltage (max.)	80%	80%
Drop Out Voltage (min.)	30% AC, 10% DC	30% AC, 10% DC
Set/Reset Voltage (max.)	80%	80%
Voltage (max.)	110%	110%
Mechanical Life (min.)	100 million operations	100 million operations
Electrical Life @ All Contact Ratings (min.)	200,000 operations	200,000 operations
Maximum hp Ratings	1/8 hp (265V AC)	1/8 hp (265V AC)

D2PR Series — Standard

Catalogue Number Structure

Table 3-27. D2PR Series Catalogue Numbering System ①



① For deciphering Catalog Numbers. Do not use for ordering as not all combinations are readily available.

Table 3-28. D2PR Relay/Socket Quick Reference

Relay Type	Socket	Hold Down Spring/Clip
D2PR2	D2PA6	PMC-A1
D2PR4	D2PA6	PMC-A1
D2PR5	D2PA4	PYC-A1

Product Selection

Table 3-29. D2PR Product Selection ②

	Std. Pack	Catalogue Number
Standard DPDT		
Coil Voltage: 24V AC 110V AC 240V AC		D2PR2T D2PR2A D2PR2B
12V DC 24V DC		D2PR2R1 D2PR2T1
DPDT with Indicating Light and Test Button		
24V AC 110V AC		D2PR23T D2PR23A
24V DC		D2PR23T1
DPDT Flange Mount		
110V AC		D2PR24A
Standard 4PDT		
Coil Voltage: 24V AC 110V AC		D2PR4T D2PR4A
12V DC 24V DC 110V DC		D2PR4R1 D2PR4T1 D2PR4A1
4PDT with Indicating Light and Test Button		
24V AC 110V AC		D2PR43T D2PR43A
12V DC 24V DC 110V DC		D2PR43R1 D2PR43T1 D2PR43A1
4PDT Flange Mount		
110V AC		D2PR44A
DPDT Latching		
110V AC		D2PR5A
24V DC		D2PR5T1
DIN Rail or Panel Mount Socket and Accessories		
4-Pole Socket	10	D2PA6
Spring Clip	100	PMC-A1
DIN Rail End Stop	100	PPF-M
DIN Rail or Panel Mount Socket and Accessories for D2PR5 Latching Relays		
4-Pole Socket	10	D2PA4
Hold-Down Spring	100	PYC-A1
DIN Rail End Stop ③	100	PPF-M

April 2009

D2PR Series — Standard

Dimensions

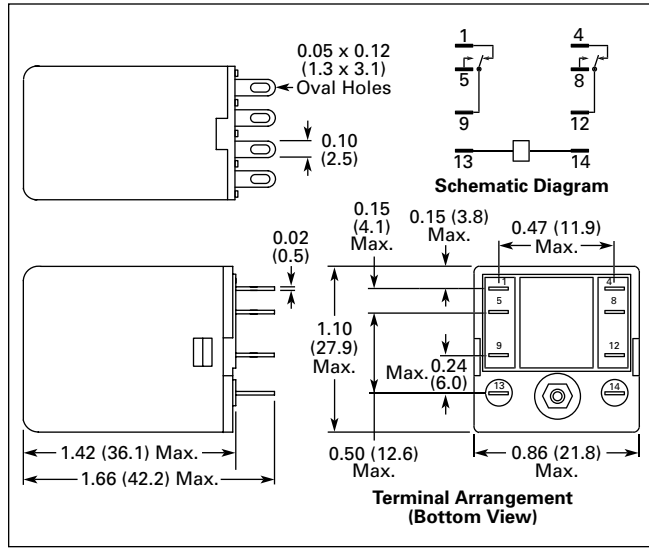


Figure 3-23. D2PR2 — Approximate Dimensions in Inches (mm)

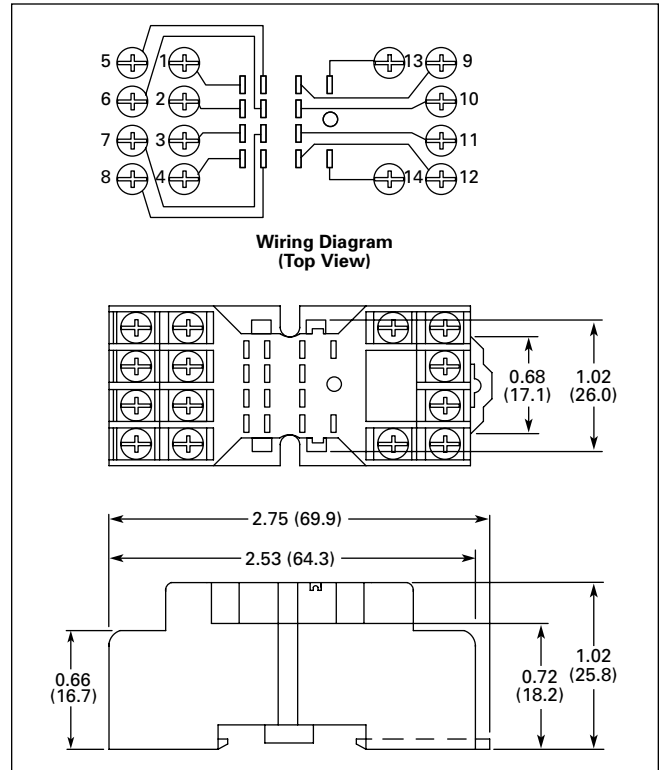


Figure 3-25. D2PA6 — Approximate Dimensions in Inches (mm)

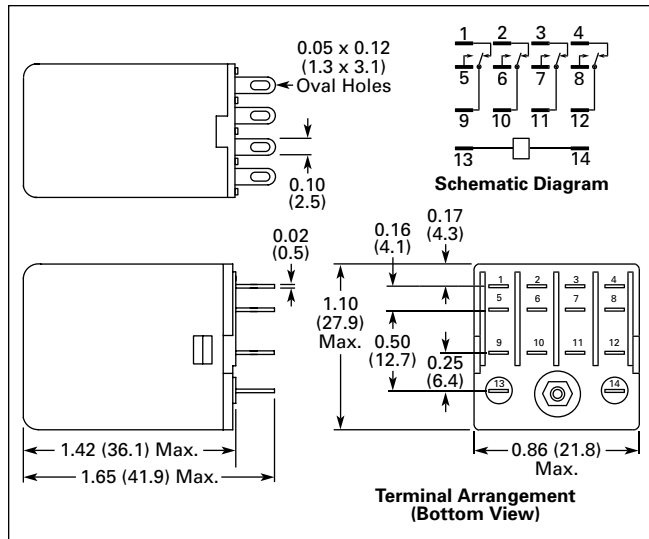


Figure 3-24. D2PR4/D2PR44 — Approximate Dimensions in Inches (mm)

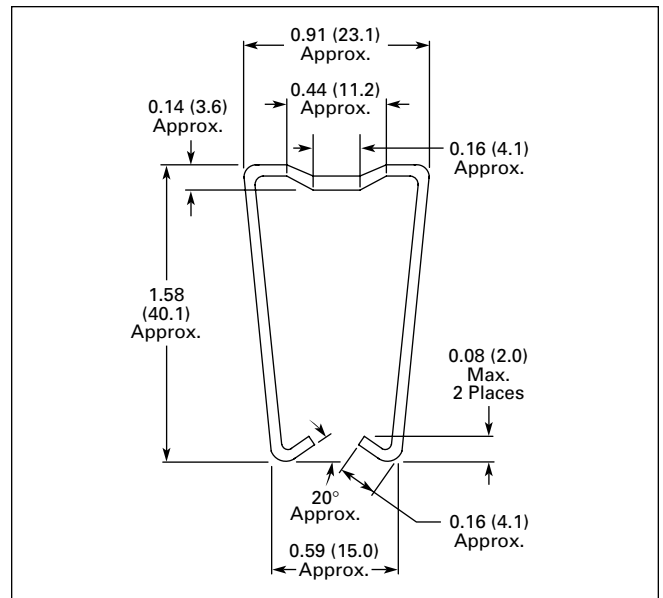


Figure 3-26. PMC-A1 Spring Clip for D2PA6

D2PR Series — Standard

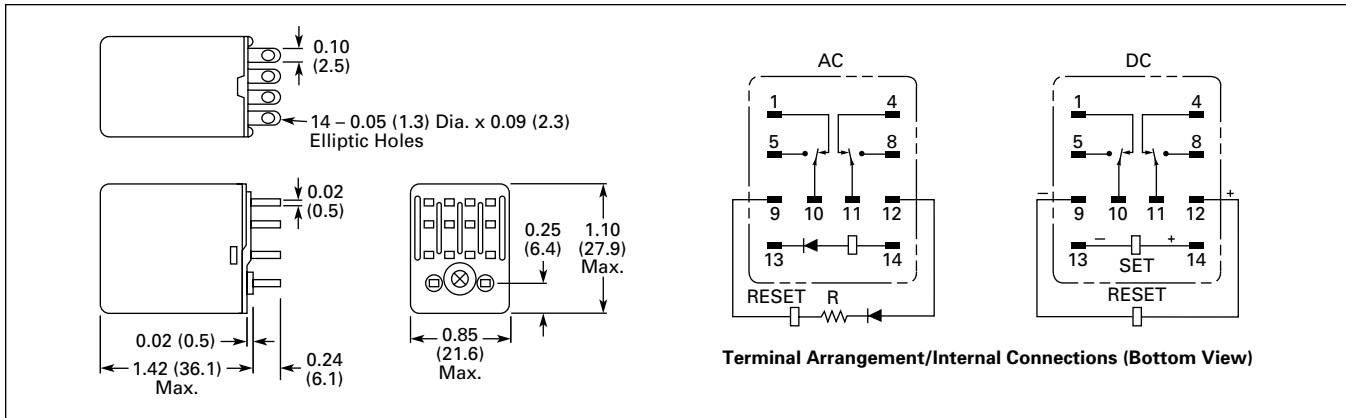


Figure 3-27. D2PR5 — Approximate Dimensions in Inches (mm)

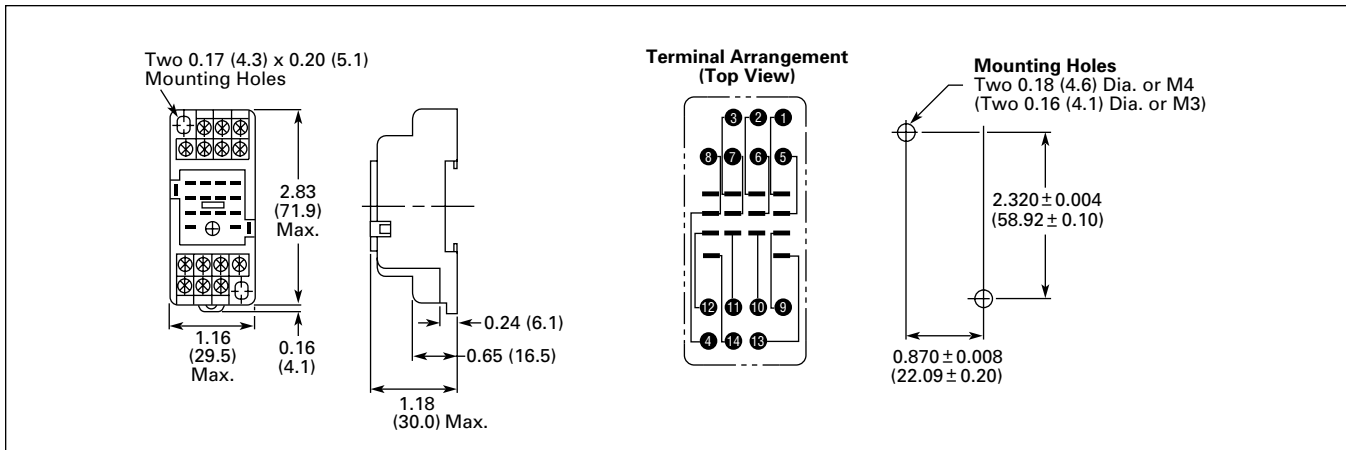


Figure 3-28. D2PA4 Socket for D2PR5 DPDT Latching Relays Only — Approximate Dimensions in Inches (mm)

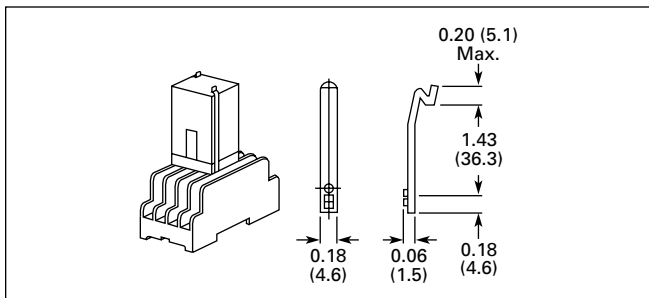


Figure 3-29. PYC-A1 Hold down Clip for D2PA4 Socket — Approximate Dimensions in Inches (mm)

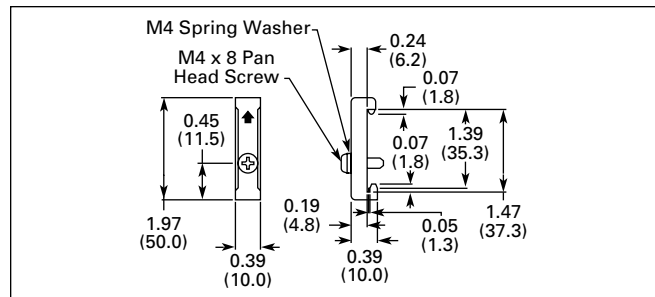


Figure 3-30. PFP-M DIN Rail End Stop — Approximate Dimensions in Inches (mm)